

PRODUCT PROFILE

FG100-5115-2

Swimming Pool Heat Exchanger

Introduction

The Bowman FG100-5115-2 is an efficient shell and tube heat exchanger which is suitable for swimming pools up to 250 m³, via a boiler heat source. The cast end covers are finished in 'C' coat, an advanced technology coating, which is highly corrosion resistant and the unit is available with either a titanium, cupro-nickel, or stainless steel tube core.

Typical Heat Transfer

Boiler heating – 170kW

Product Benefits

Proven – heats pools fast, reducing energy costs

Easy to install – 2 ½" BSP threaded end covers with thermostat pocket

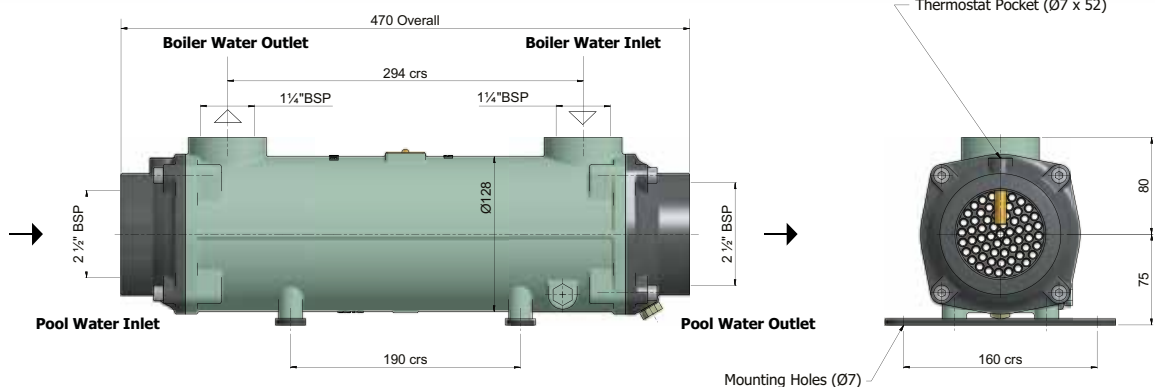
Durability – salt water and mineral rich fresh water compatible

Simple to maintain – easy disassembly for routine maintenance

Titanium models – full 10 year warranty on titanium materials



Specification



All dimensions in mm (except threaded connectors)

Type	Tube Material	Typical Pool Capacity		Maximum Pool Water Flow		Maximum Hot Water Temp		Max. Operating Pressure Pool Water		Max. Operating Pressure Hot Water		Weight
		m ³	gal	m ³ /h	l/min	°C	°F	bar	psi	bar	psi	
FG100-5115-2C	Cupro-nickel	230	50,000	28.8	480	110	230	6	87	6	87	16
FG100-5115-2S*	Stainless Steel	250	55,000	33.0	550	110	230	6	87	6	87	15
FG100-5115-2T	Titanium	250	55,000	33.0	550	110	230	6	87	6	87	14

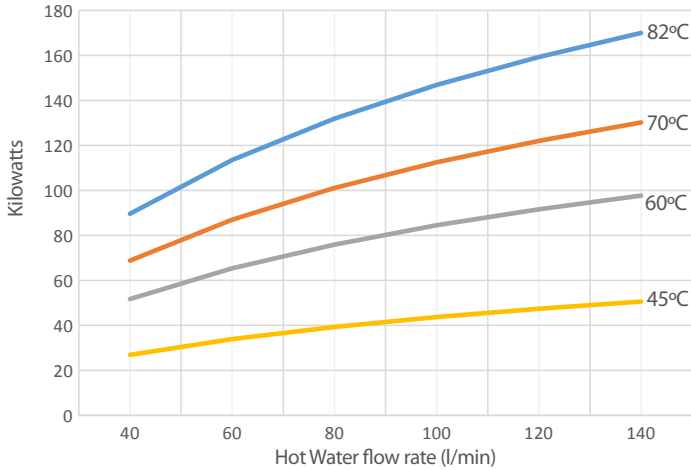
*Not suitable for use on pools fitted with salt water chlorinators or salt water pools.

Water Flow

As the graphs and table below illustrate, providing the right water flow volume is vital to the performance of the heat exchanger. If the flow rate of either the hot water supply, or the pool water circuit is too low, the heat exchanger will not perform at its designed efficiency and will be unable to transfer all the available heat energy in to the pool water.

For more information please visit; <https://ej-bowman.com/knowledge-centre/why-doesn't-my-pool-heat-up-faster/>

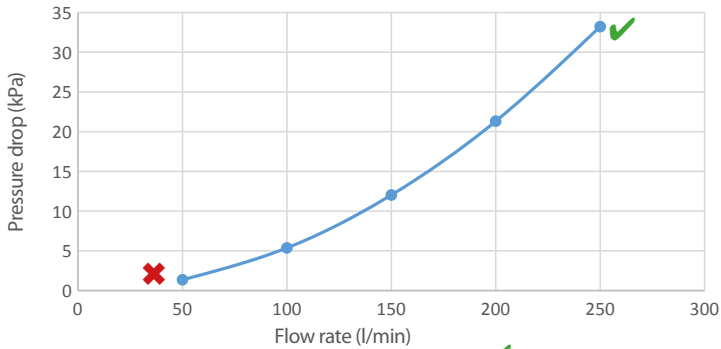
Heat Transfer



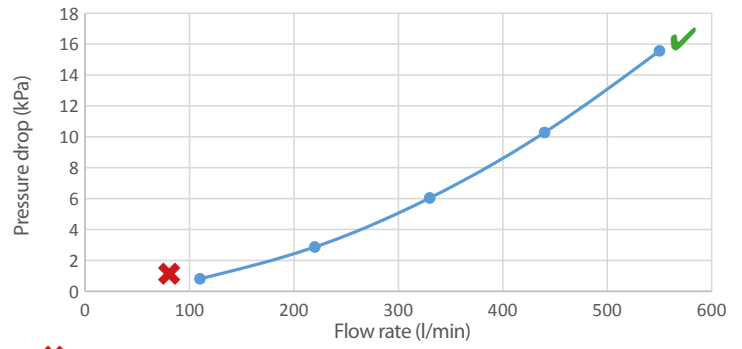
kW Heat Transfer - FG100 -5115-2
Pool water flow 480 l/min at 28°C

Hot Water	Temperature & Heat Transfer			
Flow rate	82°C	70°C	60°C	45°C
l/min	kW	kW	kW	kW
40	90	69	52	27
60	114	87	65	34
80	132	101	76	39
100	147	113	85	44
120	159	122	92	47
140	170	130	98	51

Pressure Drop Hot Water (Shell Side)



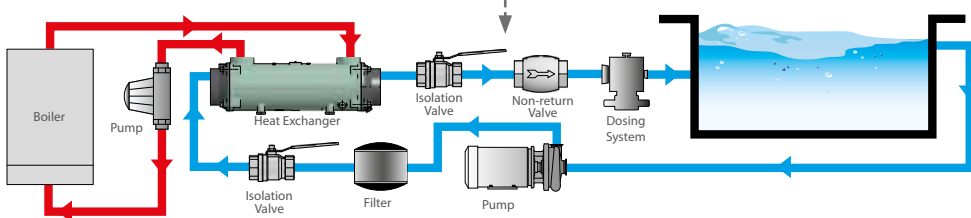
Pressure Drop Pool Water (Tube Side)



✓ Optimum heat transfer performance ✗ Reduced heat transfer performance

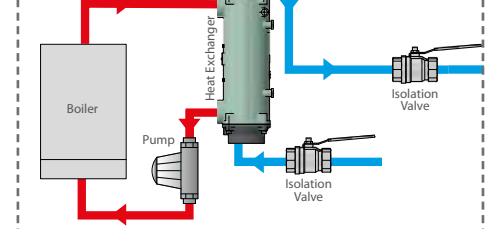
Installation

Horizontal Mounting



If an automatic dosing system is added, it must be installed after the heat exchanger on the return to the pool.

Vertical Mounting



EJ Bowman (Birmingham) Ltd

Chester Street, Birmingham B6 4AP, UK
Tel: +44 (0) 121 359 5401 Fax: +44 (0) 121 359 7495
Email: sales@ej-bowman.com www.ej-bowman.com



All material contained in this leaflet is the intellectual property of EJ Bowman (Birmingham) Ltd. It is protected under copyright and may not be reproduced without prior written consent from the company. EJ Bowman (Birmingham) Ltd reserve the right to change specifications at any time without prior notice.